

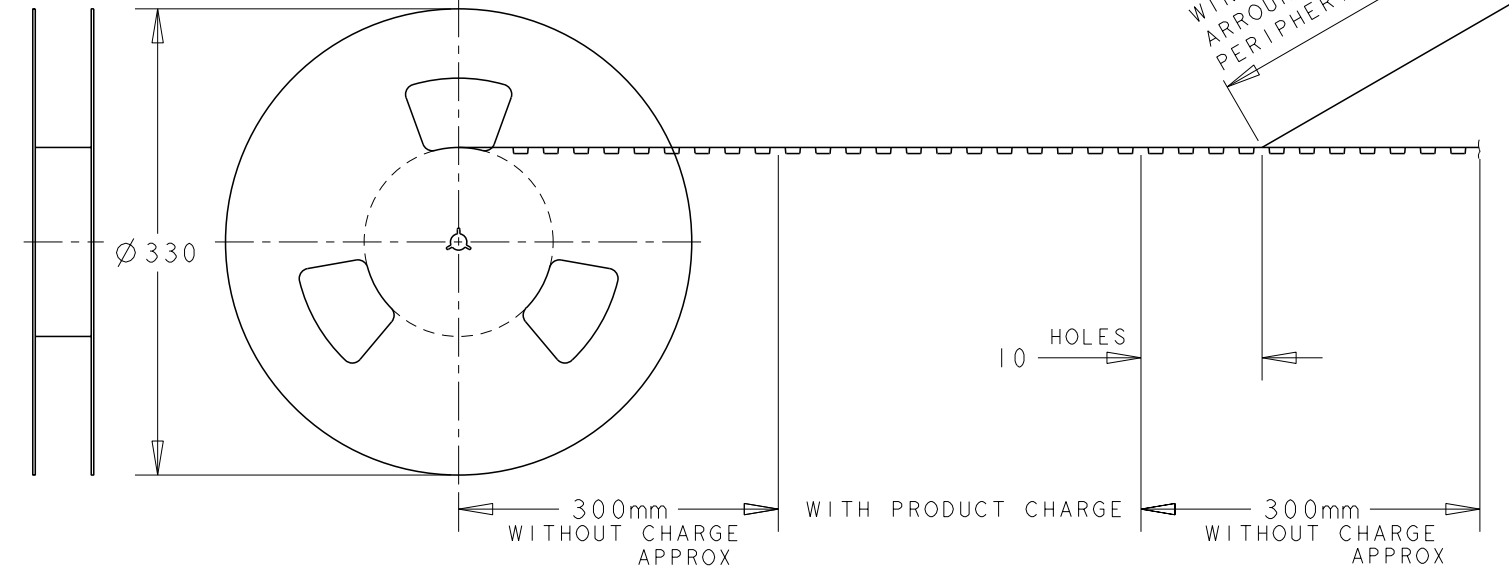
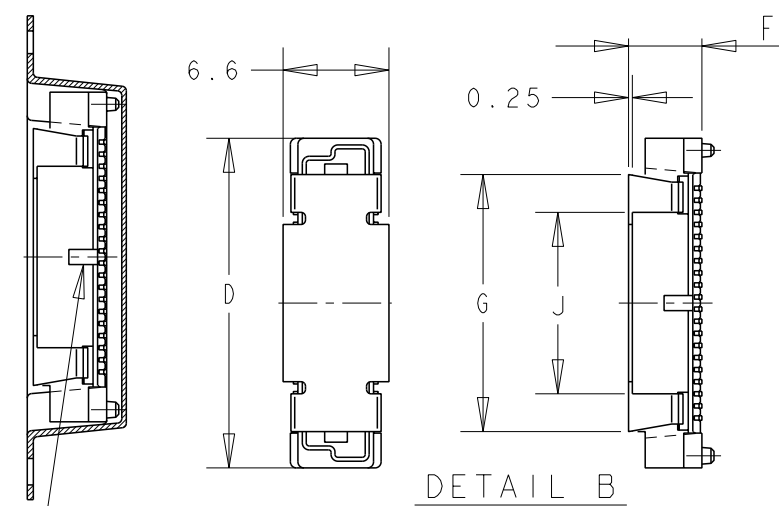
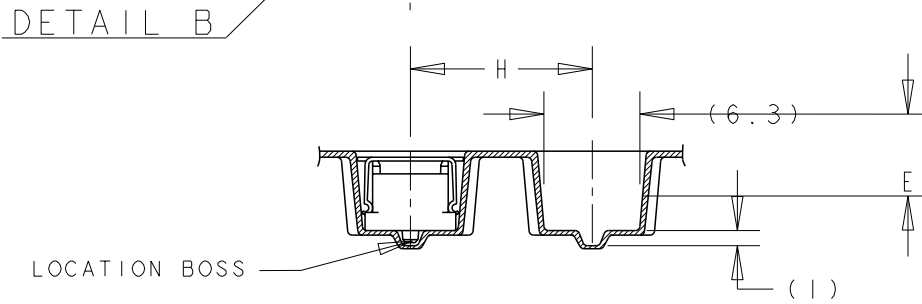
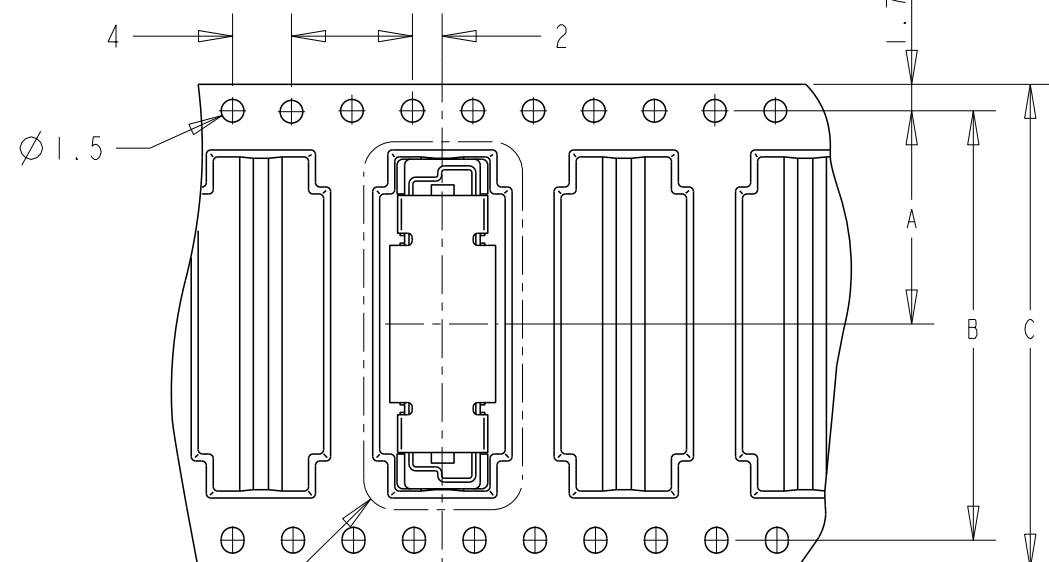
HALOGEN FREE

DIRECTION OFF TOP OF REEL

Notes:

- CUTOUT FEATURE AVAILABLE ONLY ON 5H ASSY P/N -1 (40P) AND -2 (60P).
- 0.00038 MIN GOLD PLATING (15u INCHES GOLD PLATING)
- CONNECTOR DIMENSIONS REFERENCED FROM DRAWING WHICH CONN. P/NS BASED

REMARKS	QTY	HEIGHT TYPE	J	H	G	F	E	D	C	B	A	POS	CONN. P/N REF. ONLY	SALEABLE PART NO.	
															D
0.00076 MIN GOLD PLATING (30u INCHES GOLD PLATING)	450	16	61.8	88	84.4	42.2	140	1-	-6	7-	-6				
			53.8				120	1-	-5	7-	-5				
			45.8	72	68.4	34.2	100	1-	-4	7-	-4				
			37.8	56	52.4	26.2	80	1-	-3	7-	-3				
			29.8	44	40.4	20.2	60	1-	-2	7-	-2				
			21.8	32	28.4	14.2	40	1-5179030-1							
	700	7H	12	6.85	7.25	21.8	32	28.4	14.2	40					
				69.8				160		-8	6-	-8			
				61.8	88	84.4	42.2	140		-6	6-	-6			
				53.8				120		-5	6-	-5			
				45.8	72	68.4	34.2	100		-4	6-	-4			
				37.8	56	52.4	26.2	80		-3	6-	-3			
550	16	61.8	88	84.4	42.2	140		-6	6-	-6					
		53.8				120		-5	6-	-5					
		45.8	72	68.4	34.2	100		-4	6-	-4					
		37.8	56	52.4	26.2	80		-3	6-	-3					
		29.8	44	40.4	20.2	60		-2	6-	-2					
		21.8	32	28.4	14.2	40	1-5179030-1								7-5177986-1
800	6H	12	5.85	6.25	21.8	32	28.4	14.2	40						
			85.8	104	100.4	50.2	200	1-	-0	5-	-0				
			69.8				160		-8	5-	-8				
			61.8	88	84.4	42.2	140		-6	5-	-6				
			53.8				120		-5	5-	-5				
			45.8	72	68.4	34.2	100		-4	5-	-4				
650	16	61.8	88	84.4	42.2	140		-6	5-	-6					
		53.8				120		-5	5-	-5					
		45.8	72	68.4	34.2	100		-4	5-	-4					
		37.8	56	52.4	26.2	80		-3	5-	-3					
		29.8	44	40.4	20.2	60		-2	5-	-2					
		21.8	32	28.4	14.2	40	5084615-1								6-5177986-1
900	5H	12	4.85	5.25	21.8	32	28.4	14.2	40						
			85.8	104	100.4	50.2	200	1-	-0	5-	-0				
			69.8				160		-8	5-	-8				
			61.8	88	84.4	42.2	140		-6	5-	-6				
			53.8				120		-5	5-	-5				
			45.8	72	68.4	34.2	100		-4	5-	-4				
0.0002 MIN GOLD PLATING (7.8u INCHES GOLD PLATING)	450	16	61.8	88	84.4	42.2	140		-6	5-	-6				
			53.8				120		-5	5-	-5				
			45.8	72	68.4	34.2	100		-4	5-	-4				
			37.8	56	52.4	26.2	80		-3	5-	-3				
			29.8	44	40.4	20.2	60		-2	5-	-2				
			21.8	32	28.4	14.2	40	5179031-1							
600	8H	12	7.85	8.25	21.8	32	28.4	14.2	40						
			85.8	104	100.4	50.2	180	1-	-0	3-	-0				
			77.8				160		-9	3-	-9				
			69.8				140		-8	3-	-8				
			61.8	88	84.4	42.2	120		-6	3-	-6				
			53.8				100		-5	3-	-5				
400	16	61.8	88	84.4	42.2	140		-6	3-	-6					
		53.8				120		-5	3-	-5					
		45.8	72	68.4	34.2	100		-4	3-	-4					
		37.8	56	52.4	26.2	80		-3	3-	-3					
		29.8	44	40.4	20.2	60		-2	3-	-2					
		21.8	32	28.4	14.2	40	5179031-1								3-5177986-1
700	7H	12	6.85	7.25	21.8	32	28.4	14.2	40						
			85.8	104	100.4	50.2	200	1-	-0	3-	-0				
			77.8				180		-9	2-	-9				
			69.8				160		-8	2-	-8				
			61.8	88	84.4	42.2	140		-6	2-	-6				
			53.8				120		-5	2-	-5				
500	16	61.8	88	84.4	42.2	140		-6	2-	-6					
		53.8				120		-5	2-	-5					
		45.8	72	68.4	34.2	100		-4	2-	-4					
		37.8	56	52.4	26.2	80		-3	2-	-3					
		29.8	44	40.4	20.2	60		-2	2-	-2					
		21.8	32	28.4	14.2	40	5179030-1								2-5177986-1
800	6H	12	5.85	6.25	21.8	32	28.4	14.2	40						
			85.8	104	100.4	50.2	200	1-	-0	3-	-0				
			77.8				180		-9	2-	-9				
			69.8				160		-8	2-	-8				
			61.8	88	84.4	42.2	140		-6	2-	-6				
			53.8				120		-5	2-	-5				
650	16	61.8	88	84.4	42.2	140		-6	1-	-6					
		53.8				120		-5	1-	-5					
		45.8	72	68.4	34.2	100		-4	1-	-4					
		37.8	56	52.4	26.2	80		-3	1-	-3					
		29.8	44	40.4	20.2	60		-2	1-	-2					
		21.8	32	28.4	14.2	40	5179030-1								2-5177986-0
900	5H	12	4.85	5.25	21.8	32	28.4	14.2	40						
			85.8	104	100.4	50.2	200	1-	-0	3-	-0				
			77.8				180		-9	2-	-9				
			69.8				160		-8	2-	-8				
			61.8	88	84.4	42.2	140		-6	1-	-6				
			53.8				120		-5	1-	-5				
900	12	17	4.85	5.25	21.8	32	28.4	14.2	40						
			85.8	104	100.4	50.2	200	1-	-0	4-	-0				
			77.8				180		-9	3-	-9				
			69.8				160		-8	3-	-8				
			61.8	88	84.4	42.2	140		-6	3-	-6				
			53.8				120		-5	3-	-5				



THIS DRAWING IS A CONTROLLED DOCUMENT.		DWN	30AUG04				PLUG ASSEMBLY (0.5 BOSS LENGTH) FOR FH 0.8 B-T-B CONN. ON TAPING			
DIMENSIONS: mm		FLORENCE TAN								
TOLERANCES UNLESS OTHERWISE SPECIFIED:		ERIC TNG								
		APVD								
		SE LEONG			NAME					
		PRODUCT SPEC								
		108-5390			SIZE					
		APPLICATION SPEC			CAGE CODE			DRAWING NO		RESTRICTED TO
MATERIAL		FINISH			114-5254		A3 00779		G-5177986	
					WEIGHT					
					CUSTOMER DRAWING		SCALE		SHEET OF REV	
							2:1		1 OF 1 E4	